

RoHS FC CCC UK CA CE IP44 TUV SUD UL

3 Years
Quality Guarantee

Mobile: +86-186-7828-3606 Landline: +86-0632-5150311
E-mail: info@yowaymirror.com Address: Tengzhou City,China
www.yowaymirror.com



YOWAY

WALL MOUNTED MIRROR CABINET

Tengzhou Yoway Electronic Technology Co., Ltd
Yushuo Group

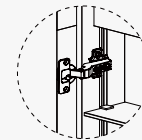
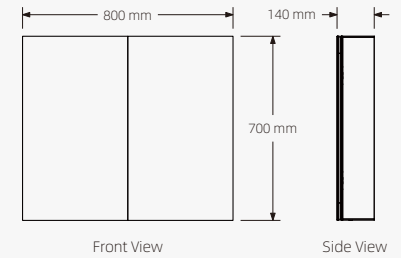
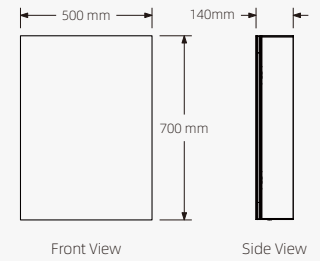
2023-2024



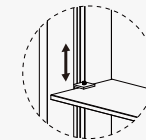
Single/Double Door Mirror Cabinet

Key Features :

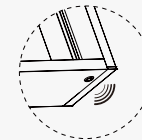
- IR sensor
- Demister
- Door mirrored on both sides
- Adjustable glass shelves
- Waterproof socket
- Extra thin and lightweight Aluminum frame
- Soft closed hinges
- Copper-free silver mirror
- Environment friendly
- 3 Years Guarantee



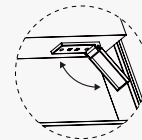
High strength hinge



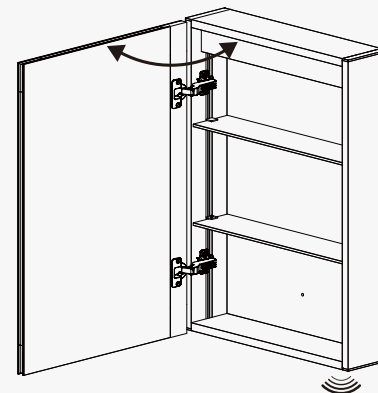
Adjustable glass shelf



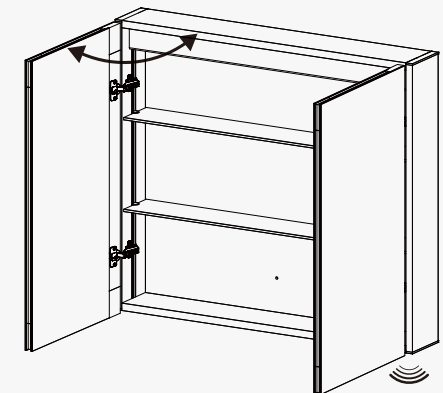
Infra-red sensor



Waterproof socket



80° induction range
50mm induction distance



80° induction range
50mm induction distance

MC-01



MC-03



MC-02



MC-04



MC-05



MC-07



MC-06



MC-08



MC-09



MC-11



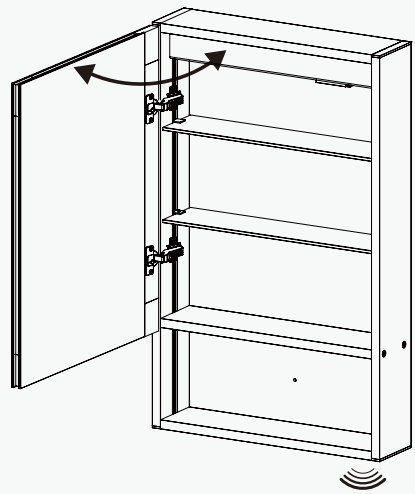
MC-10



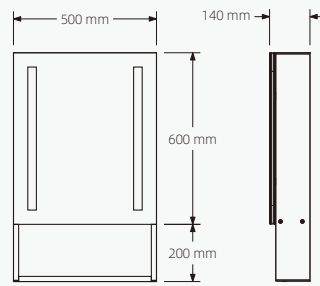
MC-12



SMC-01

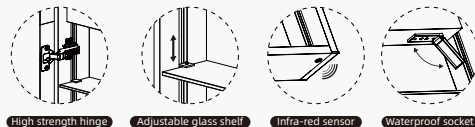


80° induction range
50mm induction distance



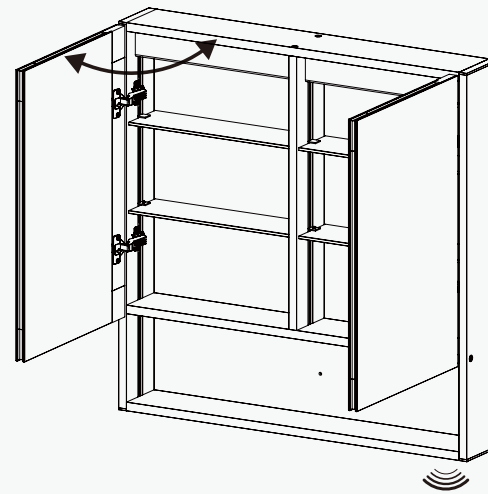
Front View

Side View

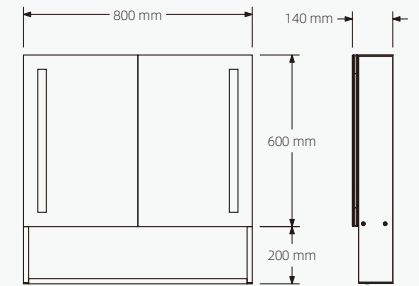


High strength hinge Adjustable glass shelf Infra-red sensor Waterproof socket

SMC-02

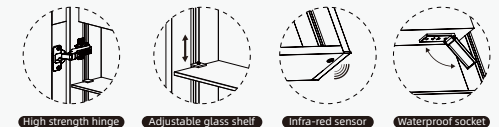


80° induction range
50mm induction distance



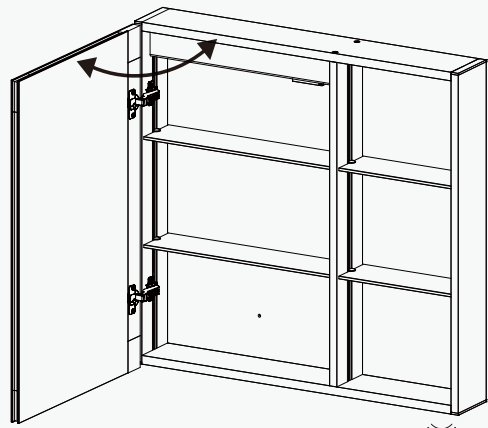
Front View

Side View

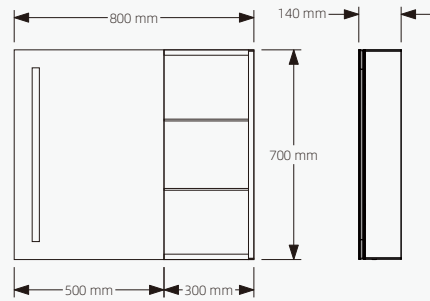


High strength hinge Adjustable glass shelf Infra-red sensor Waterproof socket

SMC-03

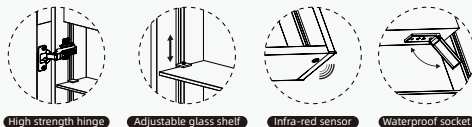


80° induction range
50mm induction distance

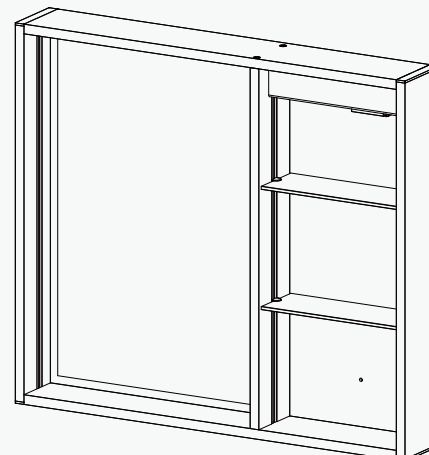


Front View

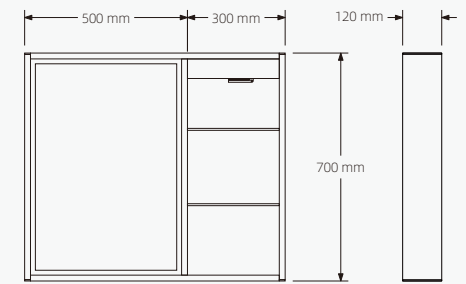
Side View



SMC-04

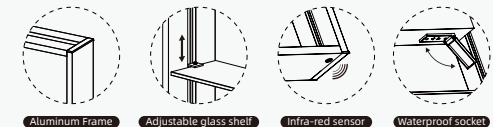


80° induction range
50mm induction distance



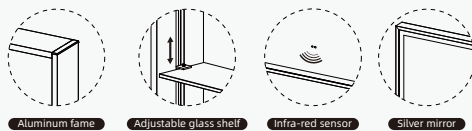
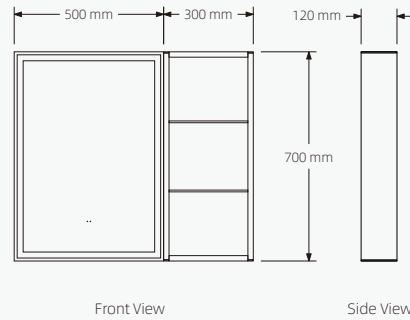
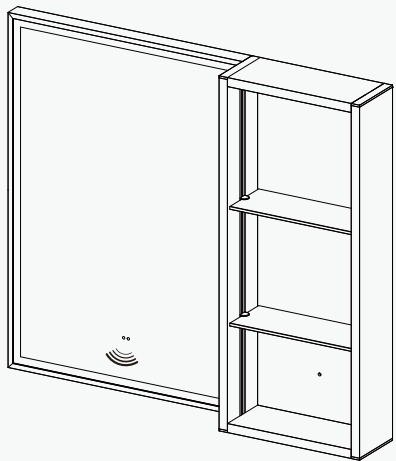
Front View

Side View





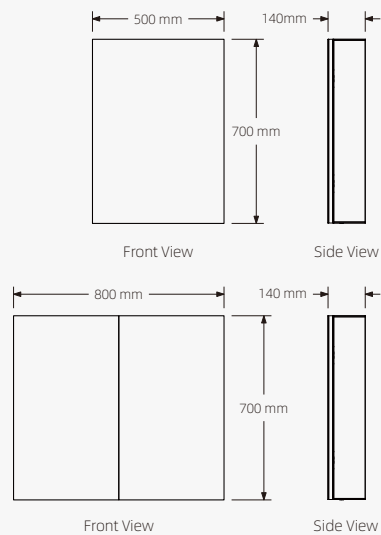
Recommended style



Single/Double Door Acrylic Mirror Cabinet

Key Features :

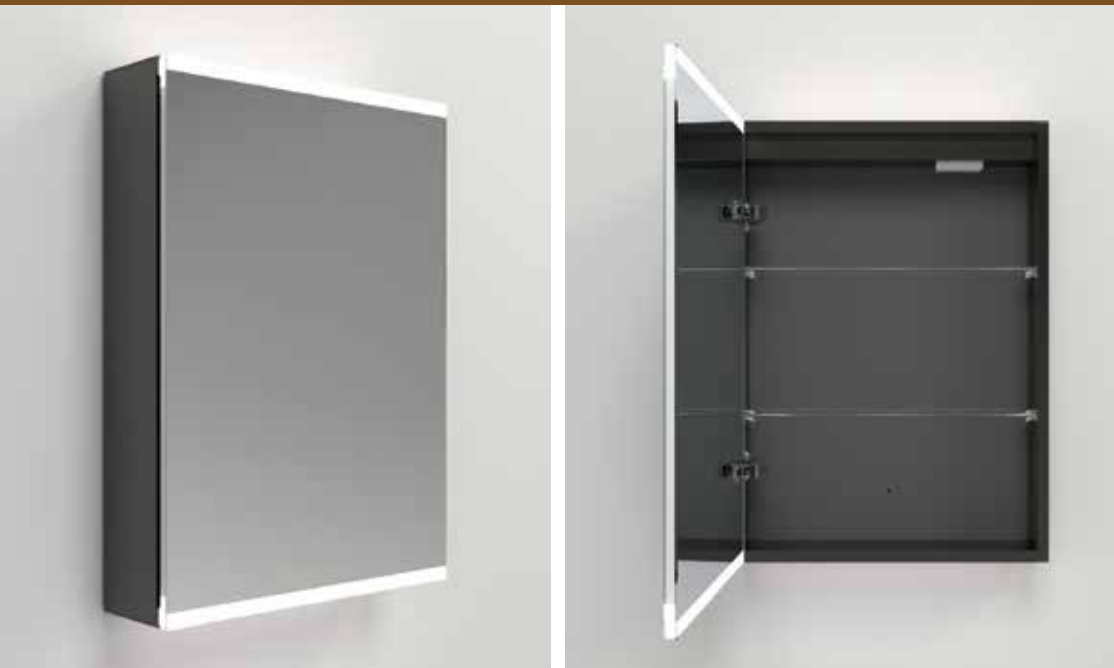
- IR sensor
- LED Lighting(Warm/Neutral/Cool)
- Frosted acrylic
- Copper-free silver mirror
- Aluminum frame
- High strength hinge
- Waterproof socket
- Adjustable glass shelves
- Environment friendly
- 3 Years Guarantee



AMC-02



AMC-01



AMC-03



AMC-04



AMC-06



AMC-05



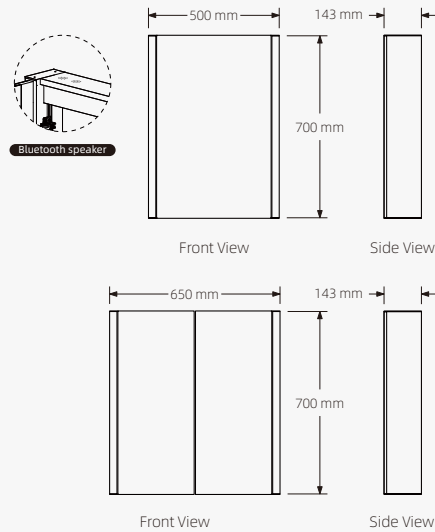
AMC-07



Lampshade Mirror Cabinet

Key Features:

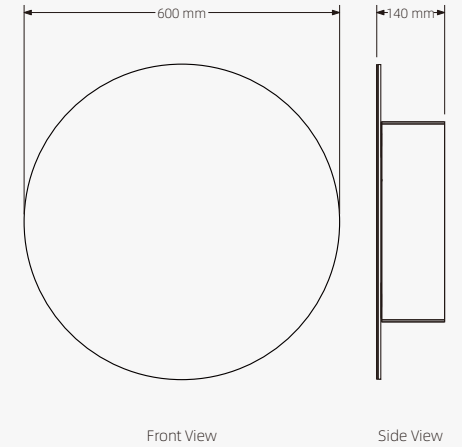
- IR sensor
- Socket
- LED Lighting(Warm/Neutral/Cool)
- Lampshade
- Copper-free silver mirror
- Bluetooth speaker
- Aluminum frame
- High strength hinge
- Adjustable glass shelves
- Environment friendly
- 3 Years Guarantee



Round Door Mirror Cabinet

Key Features:

- IR sensor
- Socket
- LED Lighting(Warm/Neutral/Cool)
- Copper-free silver mirror
- Aluminum frame
- High strength hinge
- Adjustable glass shelves
- Environment friendly
- 3 Years Guarantee



LMC-01



LMC-02



RMC-01

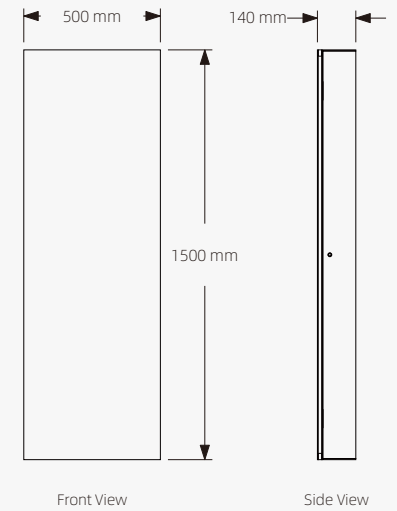




Full-length Mirror Cabinet

Key Features :

- IR sensor
- Socket
- LED Lighting(Warm/Neutral/Cool)
- Copper-free silver mirror
- Aluminum frame
- High strength hinge
- Adjustable clothing rod
- Adjustable glass shelves
- Environment friendly
- 3 Years Guarantee



DMC-01



DMC-02



DMC-03

